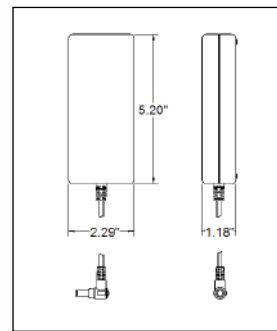
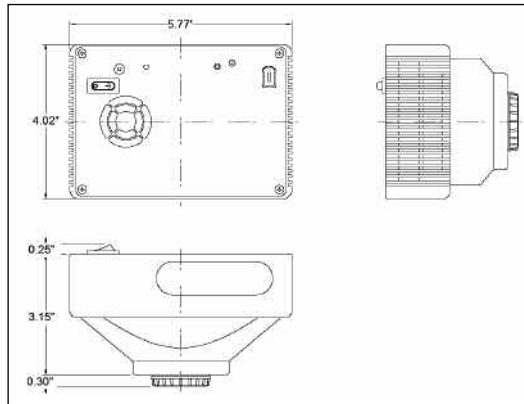


# Data Sheet



## Application

This camera combines acquisition flexibility with category leading specifications to set the new benchmark for high-resolution documentation applications in brightfield and fluorescence.



## Features

## Benefits

40 MHz live mode (dual channel 20MHz) ....	High speed imaging for real time viewing
Selectable resolution via Pixel-shifting technology .....	Multiple resolution options provide the ability to capture a wide range of samples effectively: 1-shot 4 megapixel color mosaic capture for live specimens, 4-shot 4 megapixel full color sampling capture for fixed specimens, 16-shot 16 megapixel capture for low-power work, and 64 megapixel capture for ultra-high resolution large format publications
-20° C differential cooling.....	Reduces thermal noise for low light level imaging
14 bit x 20 MHz capture .....	Extra bit depth is ideal for image enhancement
15.2mm x 15.2mm imaging area .....	Large field of view to closely match the field of view in the microscope eyepiece
FireWire® interface .....	Allows for effortless installation, hot-swapping, and laptop connectivity for greater ease of use
SPOT™ Software .....	Provides essential tools for modern microscopy and is widely supported by 3rd party software companies for high end applications as well as providing DLL with SDK for OEM driver development
Mac® & Windows® operating systems	
Basic & Advanced Applications	
Twain & Third Party Interface	
DLL w/ SDK and Tutorial manual	
3rd Party Driver support	

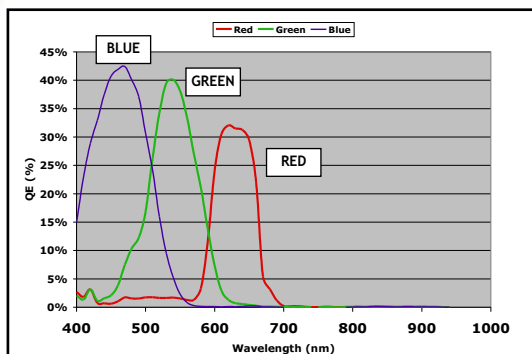
Flex™



# Data Sheet

DIAGNOSTIC  
INSTRUMENTS, INC.

source  
solution



Captured Frames per Second\*

Binning	REGION OF INTEREST			
	2048 X 2048	1024 X 1024	512 X 512	256 X 256
1 x 1	3.4	6.2	10.5	15.9
2 x 2 (monochrome)	6.1	10.3	15.8	21.3
4 x 4 (monochrome)	10.2	15.4	20.6	24.9

\*1 ms exposure, 20 Mhz readout with post-processing deferred, taken with 966 Mhz PIII processor running Windows XP. Capture rates on other computers OS platforms may vary.

### CCD information:

Kodak KAI-4020-CM with cover glass  
Color mosaic progressive scan interline CCD  
2048 x 2048, 7.4 µm square pixels  
15.16mm x 15.16mm active area, >1" optical format  
300x anti-blooming

**Cooling:** -20°C differential from ambient via thermoelectric cooler with fan cooled heat sink

### Digitization information:

Digitized pixel by pixel at CCD sensor  
Live mode: 8 bit x 40 MHz (Dual channel)  
8 bit x 20MHz  
Live image frame rate: 14 fps  
Capture mode: 14 bit x 20 MHz (see chart for frame rate)

A/D Converter full scale set to 33,333 e (Gain=1)  
Saved bit depths: 24, 36, or 48 RGB; 8, 12 or 16 bit BW

### Noise specifications:

Read noise: 15 electrons  
Dark current: 0.103 e/p/s mean value

### Exposure:

1 ms to 536 seconds  
Captured and live mode automatic exposure  
Captured and live mode manual exposure

**Lens mount:** C-mount

**Sealing window:** IR Filter w/ anti-reflection coating

**External device control:** TTL level output with programmable delay

**External trigger input:** TTL level input

### Mechanical:

**Tripod mount:** 1/4 - 20 UNC  
**Camera head:** 5.77" (147 mm) x 4.02" (102 mm) x 3.15" (80 mm), 2.4 lbs. (1.09 kg)  
**Power supply:** 2.29" (58 mm) x 5.20" (132 mm) x 1.18" (30 mm), 0.70 lbs. (0.32 kg)  
**Operating environment:** 0 to 30°C ambient, 0-80% relative humidity noncondensing  
**Power requirements:** 100-240 VAC, 1.5A

**Certifications:** CE, FCC Class A, EN60950

### SPOT software features:

Color live mode viewing window & controls, auto-exposure live and capture modes, image capture window, predefined and custom image setups, auto white balance, flat field correction, image enhancement tools in three color spaces (RGB, HSL, HSV), pan and zoom windows, multiple customizable floating taskbars, spot metering, non-destructive annotations, non-destructive calibration marks, measurement tools, sequential image capture and playback, exportable image archiving database (PC only), report generator, macro scripting, interactive print dialog, online help menu, and Correct Color Technology™.

### File formats:

Bitmap, TIFF, TIFF-JPEG, JPEG-2000, PICT, AVI (PC, export only), Quicktime (Mac, export only)

### TIFF File sizes:

<b>1-shot and 4-shot modes:</b>	<b>16-shot mode:</b>
24 bit RGB / 12 MB	24 bit RGB / 24 MB
36 bit RGB / 18 MB	36 bit RGB / 36 MB
48 bit RGB / 24 MB	48 bit RGB / 48 MB

### Drivers included:

Twain for supported Windows® operating systems. Third Party Interface for supported Mac® operating systems

### Native drivers for 3rd party software:

Call or visit our website ([www.diaginc.com](http://www.diaginc.com))

### Minimum system requirements:

PC: Pentium 400 Mhz or greater with Windows 98 SE, 2000, ME, or XP, 512 MB of RAM, Firewire/IEEE 1394a interface\*

Mac: Power PC 400 Mhz G3 or greater with OS 10.2.8 or higher, 512 MB of RAM, Firewire/IEEE 1394a interface

Video card: 24 bit RGB @ desired resolution

### Items included:

Camera head, FireWire® data cable (6-pin), power supply cable, power supply, power cord, SPOT software install CD (includes drivers), electronic software user guide and hardware user guide. Includes a 2 year warranty.

\*Desktop computers may require IEEE 1394a to PCI bus interface card, laptop computers may require IEEE 1394a to PCMCIA interface card  
Firewire® and Mac® are registered trademarks of Apple Computers, Inc.  
Windows® is a registered trademark of Microsoft.

Specifications are typical and subject to change. Catalog Number: FX 1520

Flex™

